

Installing Battery Pack

Universal Mount: ON700, ON1000 and ON1500

This procedure is the same for rackmount and floor standing units.

To install a new battery pack in a standard ON Series UPS:

1. Slide the front bezel to the left (bottom) and then pull away from the UPS to remove (fig. 27)

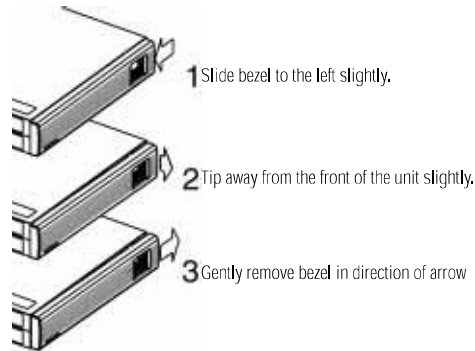


Fig. 27: Removing the UPS Front Bezel

2. Once the bezel is removed, unscrew the two thumb screws on the battery retention plate located on the left (bottom) side of the unit (fig. 28) and remove the plate.

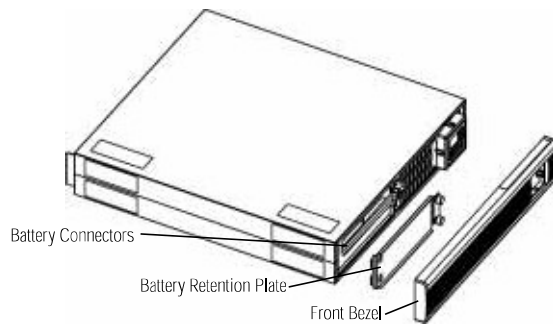


Fig. 28: Removing Front Bezel and Battery Retention Plate

Battery Considerations

3. Disconnect the battery from the UPS by grasping and pulling the battery connectors straight out. Do not pull on wires!
4. Slide battery out (fig. 29).

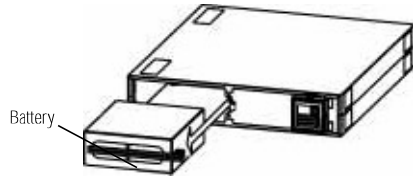


Fig. 29: Removing the Battery

5. Slide new battery into the UPS and reconnect the battery connector (fig. 30). The battery connector is polarized and will only fit one way. Make sure it is completely installed.

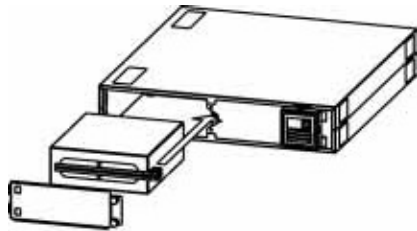


Fig. 30: Replacing the Battery

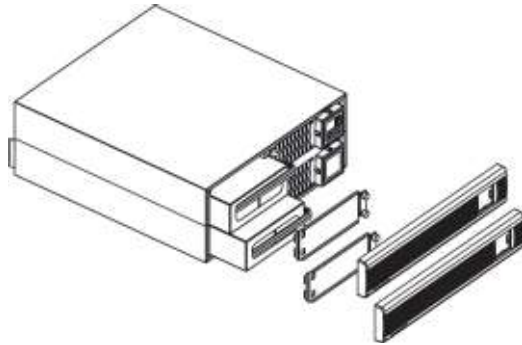
6. Replace and secure the battery retention plate with the thumb screws.
7. Replace the front bezel by reversing all three steps in figure 27.

NOTE: Do not replace the front bezel without first securing the battery retention plate.

Universal Mount: ON2000

Battery replacement procedure is the same as for the ON700, ON1000 and ON1500 units above.

However, there are two sets of batteries, each located behind the front bezels (fig. 31).



NOTE: Both sets of batteries must be replaced at the same time to ensure proper operation and expected runtimes.

Fig. 31: Replacing ON2000 UPS Batteries

Replacing External Battery Cabinets

The batteries inside the Extended Runtime Cabinets are not user-replaceable. The entire battery cabinet must be replaced or the cabinet may be returned to ONEAC for battery replacement. For details, refer to “Connecting the UPS and Multiple Battery Cabinets” on page 26.

The ONXBCU-417 battery pack can be replaced without turning off the power or disrupting the protected equipment.

NOTE: Extended run battery back up is not available if the battery circuit breaker is in the “OFF” position.



ATTENTION: Place the UPS on the top or to the side of the stackable configuration.