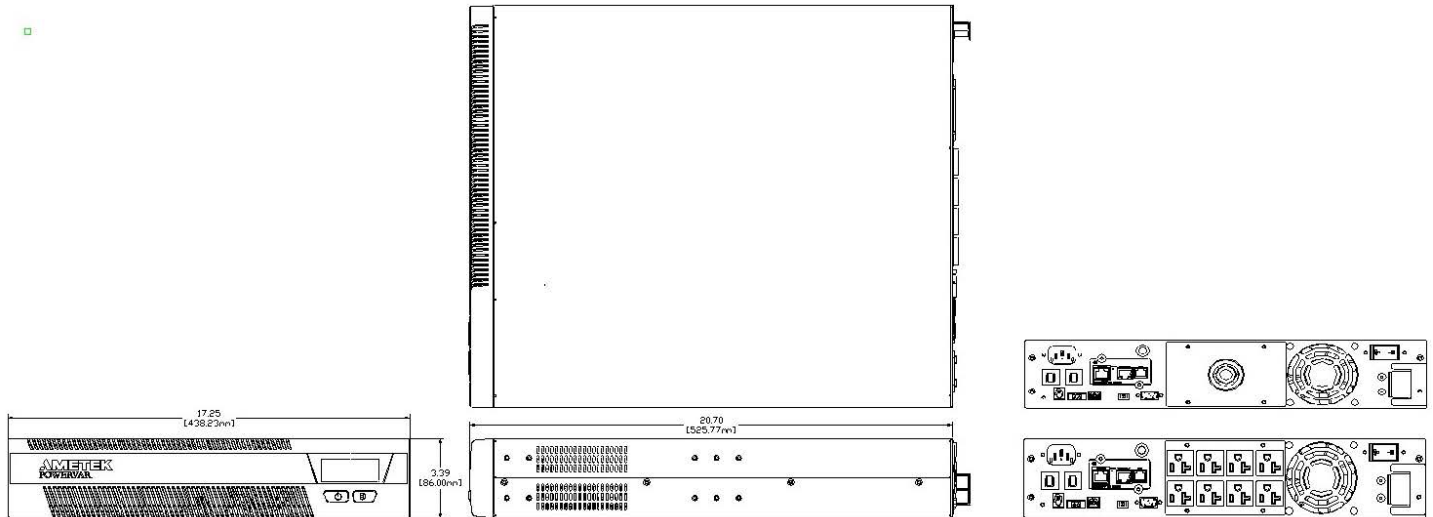


Security II Rackmount UPM Specifications

North American 1000 VA Models - Standard



MODEL NUMBER PART NUMBER	ABCE1002-11R 58100-08R	ABCE1002-11R 58100-01R
Type	Standard	Standard
Power Rating (VA/Watts)	1000 / 900	1000 / 900
Inverter Waveform	Low Distortion Sine Wave	Low Distortion Sine Wave
Transfer Time	4 ms. Typical	4 ms. Typical
Frequency	50 / 60 Hz.	50 / 60 Hz.
BTU/Hr.	304	304
T.H.D. w/100% Resistive Load	<4% On Battery	<4% On Battery
Online Efficiency (w/o Charger)	91%	91%
Input Voltage	120	120
Input Current	12.0 Amps	12.0 Amps
Input Voltage Range (w/o Using Battery)	96 to 144 Volts	96 to 144 Volts
Output Voltage	120	120
Output Current (VA/Watts)	8.33 / 7.5 Amps	8.33 / 7.5 Amps
Output Regulation (On Mains)	± 10%	± 10%
Output Regulation (On Battery)	± 5%	± 5%
Backup Time at Full Load (0.7 P.F.)	>12 Minutes	>12 Minutes
Floor Mountable	Yes (Optional)	Yes (Optional)
Communications Interface	DB9, USB (SNMP Optional)	DB9, USB (SNMP Optional)
Shipping Weight (lbs/kg)	65 lbs/ 29 kg	65 lbs/ 29 kg
Dimensions (in/mm) L x W x H	20.7 x 17.25 x 3.39 / 525.77 x 438.23 x 86	20.7 x 17.25 x 3.39 / 525.77 x 438.23 x 86
Output Receptacles	8 NEMA-5-20R	L5-30R
PDU Compatible	No	Yes

Security II Rackmount UPM Specifications

North American 1000 VA Models - Standard

Front Panel Controls

- Power On/Off
- Test
- Load Level LED Gauge
- Battery Charge LED Gauge
- Voltage Manager Boost LED
- Voltage Output On LED
- Voltage Manager Buck LED
- On Battery LED
- Replace Battery LED
- Overload LED
- Fault Code LED
- System Over Temperature LED

Rear Panel Information and Controls

- 6 Foot Power Cord with NEMA 5-15P Plug
- Eight (8) NEMA 5-20R Receptacles,
- Medical Unit (1) L5-30R or (2) 5-20R Receptacle
- Integrated Switched Power Distribution Unit (Requires SNMP / Web Card)
- Configuration Manager DIP Switches
- Communications Manager DB9 Port, USB Port
- Circuit Breaker (AC and DC)
- AC Inlet Module
- Communication Option Slot: SNMP / Web Card, Isolated Relay Contacts Card, or Remote Off Card
- DC External Battery Cabinet Connector
- Fan (Forced Cooling)

Internal Batteries

- User Hot-Swappable (See Instruction Manual)
- Type: 12 Volt, High Rate 23W
- Quantity: 4 Batteries
- Recharge Time: 6 Hours to 80%, 24 Hours to Full Charge (For Internal Batteries Only)

Environmental

- Temperature: 0 - +40°C(32 to 104°F) Operating
-20 to 60°C(-40 to 140°F) Shipment / Storage
- Humidity: 5 to 90% Non-Condensing (Operating, Shipment/Storage)
- Altitude: 3,000m (10,000 ft) max. Operating;
12,000m (40,000 ft) max. Shipment/Storage

Safety Agency and EMC Compliance:

All Units are Listed by UL and Marked With the UL/cUL Marking

Standard UPM:

Products Listed to:

- UL1778 5th Edition
- CSA 22.2 Nos. 107.3-14

Products in Compliance with:

- FCC-Part 15, Subpart B, Sections 15.107b & 15.109b Class A Digital Device*
- CISPR11:2009, A1; 2010, Class A*
- IEC61000-4-2, Electrostatic Discharge
- IEC61000-4-3, Radiated Electromagnetic Field Immunity
- IEC61000-4-4, Electrical Fast Transient/Burst Immunity
- IEC61000-4-5, Surge Immunity
- IEC61000-4-6, Immunity to Conducted Radio Frequency Disturbances
- IEC61000-4-8, Power Frequency Magnetic Field Immunity
- IEC61000-4-11, Voltage Dips, Short Interruptions and Voltage Variations

**Note: Class B is Available as an Option*

Please Consult Your Powervar Sales Representative

RoHS Compliance:

All Products (Standard and Medical) are RoHS Compliant

Optional Receptacles:

- 8 NEMA 5-20R
- 1 L5-30R
- 2 5-20R

NOISE REJECTION-ISOLATION: With unit under power and an ANSI/IEEE C62.41Cat. A pulse applied either normal or common mode at the input, the noise output voltage will be less than 10V normal mode and less than 0.5V common mode in all four quadrants (CM-NM, NM-NM, CM-CM, NM-CM).

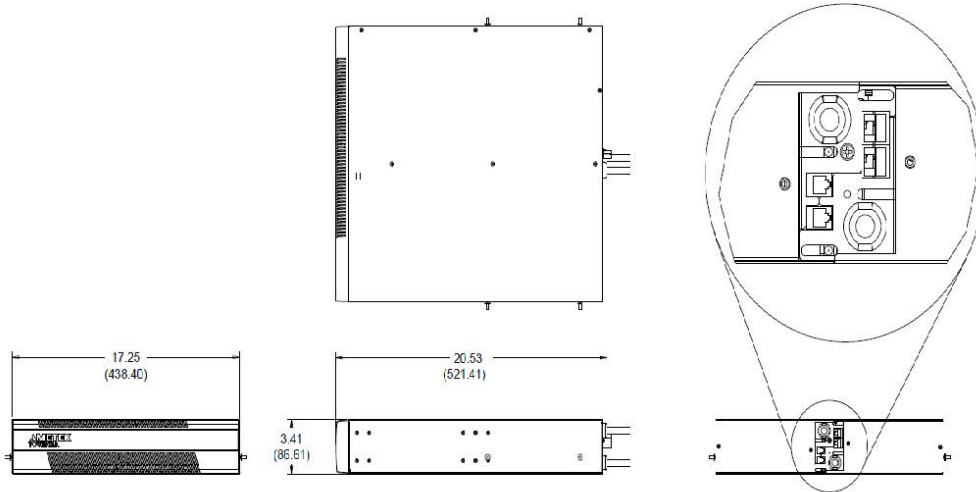
SURGE VOLTAGE WITHSTAND CAPABILITY: Tested under power to ANSI/IEEE C62.41 Cat. A & B (formerly IEEE587-1980). Cat. A - 6000V @ 200 amps, 0.5 usec risetime, 100 kHz decay, Cat. B - 6000V @ 500 amps, 0.5 usec risetime, 100 kHz decay.

Warranty/Support: Powervar warrants the electronics and transformers used in its uninterruptible power managers to be free from defects in materials and workmanship for a period of five years from the date of shipment. Batteries are warranted for a period of two years from the date of shipment. For service or support on any Powervar product, please contact Powervar Technical Support at (800) 369-7179 or visit the Powervar website at www.powervar.com.

Battery Life Disclaimer: Powervar's standard battery warranty applies only to UPS and UPM products which are continuously connected to AC mains power, except during utility power outages. Products which are regularly and intentionally disconnected from AC mains power will experience battery discharge/charge cycles potentially far more numerous than those for which the battery was designed. As a result, products used in such applications will experience substantially reduced battery life. For that reason, Powervar's standard battery warranty does not apply for applications in which the UPS or UPM product is regularly and intentionally disconnected from AC mains power. Powervar UPS and UPM products used in such applications shall receive a 90 day warranty on batteries.

Security II Rackmount Extended Run Battery Cabinet

700, 1000 and 1440 VA Models



	E4804-12 53048-12R
Type	Rackmount Extended Battery Cabinet
Voltage (VDC)	48, nominal / 54.8, Float / 55.2 Vdc
Battery	12V at 17 Ah
Battery Quantity	4
Internal Charger	None
Backup Time at Full Load (0.7 P.F.) (Internal Batteries)	See Runtime Chart
Floor Tower Standing	Yes (Optional)
Communications Interface	Proprietary, RJ22
Shipping Weight (lb/kg)	73 lbs / 33.0 kg
Dimensions (in/mm)	20.53 x 17.25 x 3.41 / 521.41 x 438.4 x 86.61

Security II Rackmount Extended Run Battery Cabinet

700, 1000 and 1440 VA Models

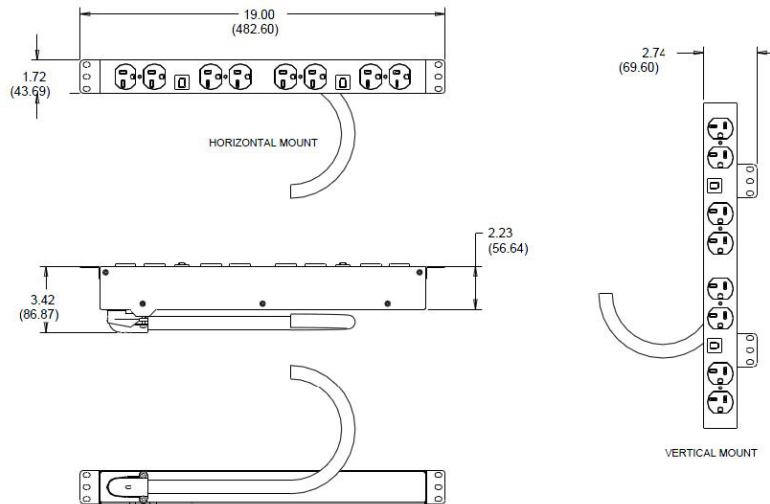
<p>Rear Panel Information and Controls</p> <ul style="list-style-type: none"> • 3 Foot DC Power Cord with Anderson Connector • +/- Anderson Connector • (2) RJ22 Connectors <p>Internal Batteries</p> <ul style="list-style-type: none"> • User Hot-Swappable (See Instruction Manual) • Type: 12 Volt, 17Ah • Quantity: 4 Batteries • Recharge Time: 12 Hours to 80%, 24 Hours to Full Charge per battery cabinet* <p>Environmental</p> <ul style="list-style-type: none"> • Temperature: 0 - +40°C(32 to 104°F) Operating -20 to 60°C(-40 to 140°F) Shipment / Storage • Humidity: 5 to 90% Non-Condensing (Operating, Shipment/Storage) • Altitude: 3,000m (10,000 ft) max. Operating; 12,000m (40,000 ft) max. Shipment/Storage <p>Safety Agency and EMC Compliance: All Units are Listed by UL and Marked With the UL/cUL Marking</p> <p>Battery Cabinet when used with Powervar Standard UPM: Products Listed to:</p> <ul style="list-style-type: none"> • UL1778 5th Edition • CSA 22.2 Nos. 107.3-14 <p>* <i>Each additional battery cabinet will increase the charge time.</i></p>	<p>Products in Compliance when used with a compatible Powervar UPM:</p> <ul style="list-style-type: none"> • FCC-Part 15, Subpart B, Sections 15.107b & 15.109b Class A Digital Device* • CISPR11:2009, A1; 2010, Class A* • IEC61000-4-2, Electrostatic Discharge • IEC61000-4-3, Radiated Electromagnetic Field Immunity • IEC61000-4-4, Electrical Fast Transient/Burst Immunity • IEC61000-4-5, Surge Immunity • IEC61000-4-6, Immunity to Conducted Radio Frequency Disturbances • IEC61000-4-8, Power Frequency Magnetic Field Immunity • IEC61000-4-11, Voltage Dips, Short Interruptions and Voltage Variations <p>Products in Compliance when used with compatible Powervar Rackmount UPM:</p> <ul style="list-style-type: none"> • FCC-Part 15, Subpart B, Sections 15.107b & 15.109b Class A Digital Device* • CISPR11:2009, A1; 2010, Class A* • EN60601-1-2 : 2007 <p><i>*Note: Class B is Available as an Option Please Consult Your Powervar Sales Representative</i></p> <p>RoHS Compliance: All Products (Standard and Medical) are RoHS Compliant</p>
---	--

ABCE1002 - Rackmount External (Extended Run) Battery Cabinet:

Percent Capacity	Number of Battery Cabinets							
	1	2	3	4	5	6	7	8
Runtimes are expressed in hours:minutes								
Typical runtimes based on fully charged, new batteries, operating under typical load conditions								
Times estimated assuming a switch mode power supply								
Runtimes are affected by batter age, ambient temperature, site specific usage patterns and load conditions								
10	10:51	22:14	35:19	49:42	65:10	81:36	98:52	118:54
20	5:26	11:08	17:40	24:51	32:36	40:49	49:27	58:28
30	3:27	7:05	11:15	15:49	20:45	25:59	31:29	37:13
40	2:26	5:04	8:02	11:18	14:50	18:34	22:30	26:36
50	1:53	3:52	6:09	8:39	11:21	14:13	17:13	20:21
60	1:31	3:06	4:56	6:66	9:05	11:23	13:47	16:18
70	1:16	2:34	4:04	5:44	7:31	9:24	11:24	13:29
80	1:04	2:10	3:27	4:51	6:22	7:68	9:39	11:25
90	0:55	1:52	2:59	4:11	5:29	6:52	8:20	9:51
100	0:48	1:38	2:35	3:40	4:48	6:01	7:18	8:37

Security II Rackmount PDU Specifications

North American Models PDU1004-11 and PDU1004-11MED



	PDU1004-11 53104-01R	PDU2008-11MED 53208-21R
Type	Standard PDU	Medical Grade PDU
Power Rating (VA/Watts)	2880	2880
Frequency	50 / 60 Hz.	50 / 60 Hz.
Input Voltage	120	120
Input Current	24 Amps	24 Amps
Output Voltage	120	120
Output Current	24 Amps	24 Amps
Shipping Weight (lbs.)	10	10

Rear Panel Information and Controls

- 6 Foot Power Cord with L5-30
- Eight (8) 5-20 and (1) L5-30 Receptacles
- (2) Circuit Breaker

Environmental

- Temperature: 0 - +40°C(32 to 104°F) Operating
-20 to 60°C(-40 to 140°F) Shipment/Storage
- Humidity: 5 to 90% Non-Condensing (Operating, Shipment/Storage)
- Altitude: 3,000m (10,000 ft) max. Operating;
12,000m (40,000 ft) max. Shipment/Storage

Safety Agency and EMC Compliance:

All Units are Listed by UL and Marked With the UL/cUL Marking

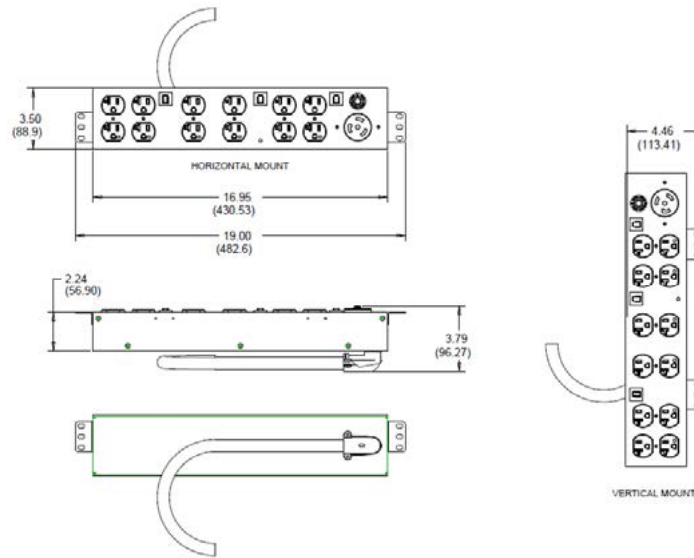
RoHS Compliance:

All Products (Standard and Medical) are RoHS Compliant

Warranty/Support: Powervar warrants the electronics and transformers used in its uninterruptible power managers to be free from defects in materials and workmanship for a period of five years from the date of shipment. Batteries are warranted for a period of two years from the date of shipment. For service or support on any Powervar product, please contact Powervar Technical Support at (800) 369-7179 or visit the Powervar website at www.powervar.com.

Security II Rackmount PDU Specifications

North American Models PDU2008-11 and PDU2008-11MED



	PDU2008-11 53208-01R	PDU2008-11MED 53208-21R
Type	Standard PDU	Medical Grade PDU
Power Rating (VA/Watts)	2880	2880
Frequency	50 / 60 Hz.	50 / 60 Hz.
Input Voltage	120	120
Input Current	24 Amps	24 Amps
Output Voltage	120	120
Output Current	24 Amps	24 Amps
Shipping Weight (lbs.)	13	13

Rear Panel Information and Controls

- 6 Foot Power Cord with L5-30
- Twelve (12) 5-20 and (1) L5-30 Receptacles
- (4) Circuit Breaker

Environmental

- Temperature: 0 - +40°C(32 to 104°F) Operating
-20 to 60°C(-40 to 140°F) Shipment/Storage
- Humidity: 5 to 90% Non-Condensing (Operating, Shipment/Storage)
- Altitude: 3,000m (10,000 ft) max. Operating;
12,000m (40,000 ft) max. Shipment/Storage

Safety Agency and EMC Compliance:

All Units are Listed by UL and Marked With the UL/cUL Marking

RoHS Compliance:

All Products (Standard and Medical) are RoHS Compliant

Warranty/Support: Powervar warrants the electronics and transformers used in its uninterruptible power managers to be free from defects in materials and workmanship for a period of five years from the date of shipment. Batteries are warranted for a period of two years from the date of shipment. For service or support on any Powervar product, please contact Powervar Technical Support at (800) 369-7179 or visit the Powervar website at www.powervar.com.