
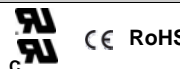
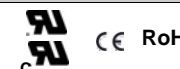




GPI "B" Series Power Conditioners Specifications

International - Models ABC500-92 - ABC3000-92

	ABC500-92BUI Part # 97042-03R	ABC1000-92BUI Part # 97083-03R	ABC1500-92BUI Part # 97125-03R	ABC2000-92BUI Part # 97166-03R	ABC3000-92BUI Part # 97250-03R
VA Rating	500	1000	1500	2000	3000
Frequency	50/60 Hz.	50/60 Hz.	50/60 Hz.	50/60 Hz.	50/60 Hz.
BTU/Hr. Output	85	137	205	273	410
T.H.D. % Added	<1%	<1%	<1%	<1%	<1%
Load Surge Current @					
1/2 cycle	100	162	195	225	330
1 second	48	78	92	108	160
10 seconds	14	23	27	32	55
Input Voltage	Selectable 100/120/208/240	Selectable 100/120/208/240	Selectable 100/120/208/240	Selectable 100/120/208/240	Selectable 100/120/208/240
Output Voltage	240	240	240	240	240
Output Current	2.08 amps	4.16 amps	6.25 amps	8.33 amps	12.5 amps
Efficiency	95%	96%	96%	96%	96%
Voltage Drop No Load to Full Load	7.2%	5.2%	4.4%	4%	3%
Compliance	 CE RoHS	 CE RoHS	 CE RoHS	 CE RoHS	 CE RoHS
Shipping Weight (kgs.)	7	11.5	25	27	36.5

NOISE REJECTION-ISOLATION: With unit under power and an ANSI/IEEE C62.41Cat. A pulse applied either normal or common mode at the input, the noise output voltage will be less than 10V normal mode and less than 0.5V common mode in all four quadrants (CM-NM, NM-NM, CM-CM, NM-CM).

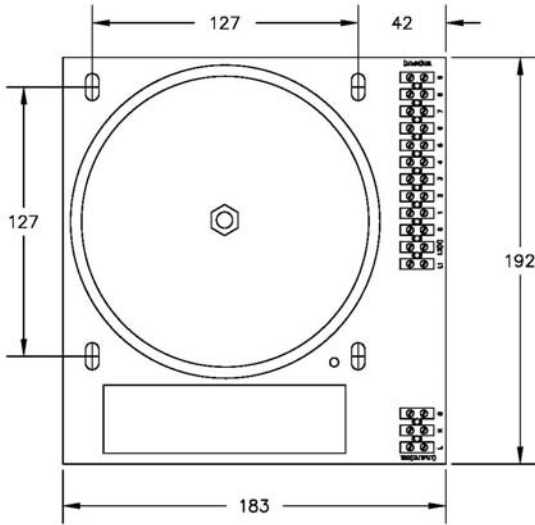
SURGE VOLTAGE WITHSTAND CAPABILITY: Tested under power to ANSI/IEEE C62.41 Cat. A & B (formerly IEEE587-1980). Cat. A - 6000V @ 200 amps, 0.5 usec risetime, 100 kHz decay, Cat. B - 6000V @ 500 amps, 0.5 usec risetime, 100 kHz decay.

IMPORTANT PRODUCT NOTE

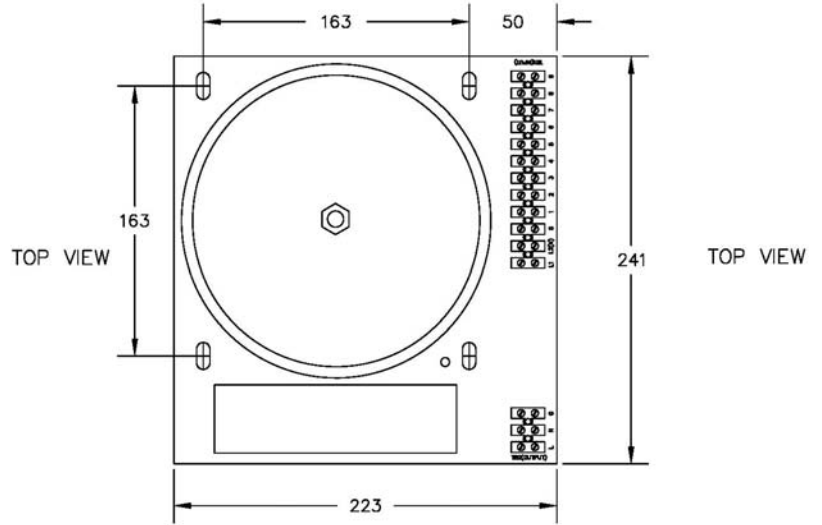
The POWERVAR GPI Series B power conditioner is engineered to allow the system designer to build the power conditioner into the electronic system as a front end component to system power supplies and controls. The GPI Series B power conditioner is a UL Recognized Component that has also been tested and found to meet the relevant requirements of medical standard UL2601 (IEC60601). The GPI Series B power conditioner has an input voltage that is programmable via a multi-terminal strip. One of four input voltages may be selected. It is the responsibility of the system designer to match the GPI Series B power conditioner to an input circuit breaker of an appropriate rating for the selected input voltage. User guide SM503 contains input current specifications for each available input voltage as well as suggested breaker ratings and breaker manufacturers. SM503 may be downloaded in electronic format from POWERVAR's website at www.powervar.com.

Warranty/Support: POWERVAR warrants its power conditioners to be free from defects in materials and workmanship for a period of five years from the date of shipment. For North American service or support on any POWERVAR product, please contact POWERVAR Technical Support at (800) 369-7179 (in Illinois call (847-596-7000)). For service and support in EMEA, contact POWERVAR, Ltd. in the United Kingdom at +44 (0) 1793 553980. Or visit the POWERVAR website at www.powervar.com.

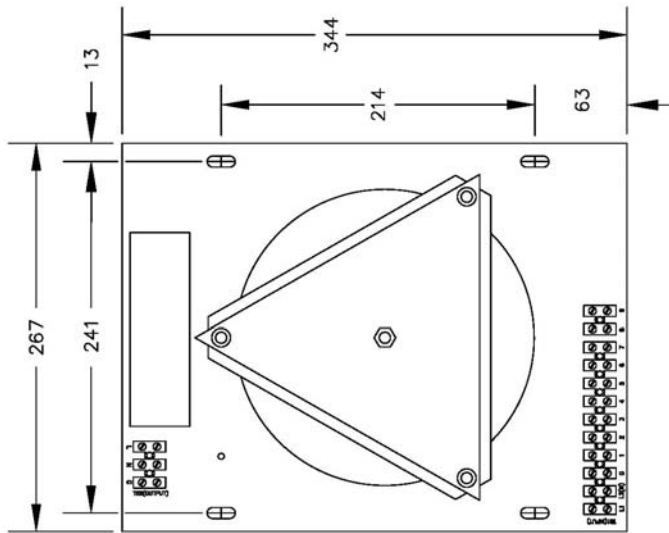
Outline and Mounting Dimensions



Model ABC500-92BUI

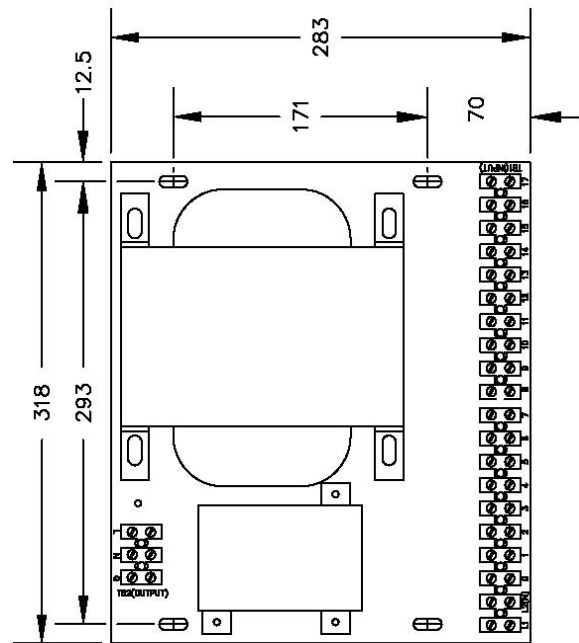


Model ABC1000-92BUI



TOP VIEW

Model ABC1500-92BUI



TOP VIEW

Models ABC2000-91BUI & ABC3000-92BUI